

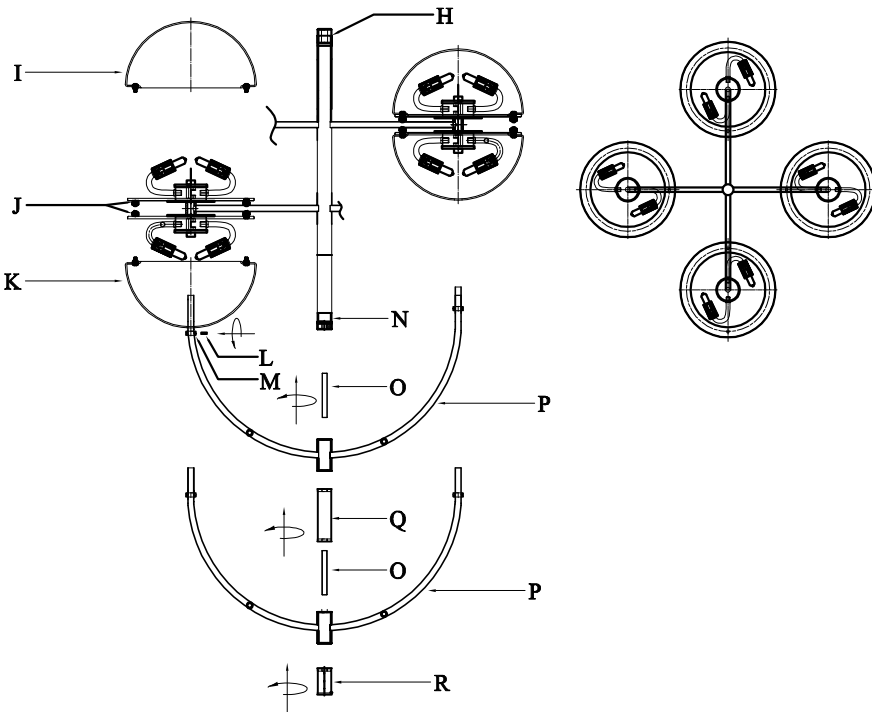
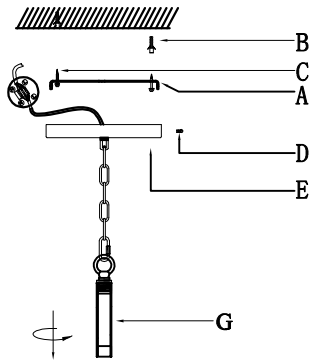
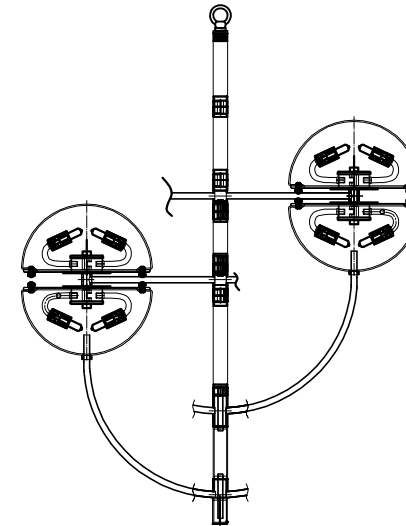
# Assembly Instructions

WE RECOMMEND INSTALLATION OF THIS LIGHTING FIXTURE BE DONE BY A LICENSED ELECTRICIAN.

**WARNING \*\*\* SWITCH OFF THE MAIN ELECTRICAL SUPPLY FROM THE MAIN FUSE BOX/CIRCUIT BREAKER BEFORE INSTALLATION.**

- Carefully remove all parts from the box
- Install the pipe (G) on the screw nipple (H) firmly, and then install the arms (P) on the lamp body screw nipple (N) with the parts (O) (Q) (R) firmly according to the illustration.
- Take the mounting bracket (A) from the canopy (E). Then inset the expansion tubes (B) to the ceiling holes and then fix the bracket (A) with screws (C) to the ceiling.
- Take the mounting bracket (A) from the canopy (E) by loosening the side screws (D)
- Then inset the expansion tubes (B) to the ceiling holes and then fix the bracket with screws (C) to the ceiling.
- INSURE THE ELECTRICITY SUPPLY IS TURNED OFF
- Connect the 3 power wires according to their colours. Brown is the live wire, blue is the neutral wire, green / yellow is the earth wire.
- Attach the canopy (E) to the mounting bracket (A) and secure with side screws (D)
- Install the bulbs on the sockets
- Install the top glass shades (I) and the bottom glass shades (K) with the screws (J) , and then fix the small metal caps (M) with side screws (L) at the bottom of the glass shades (K) according to the illustration.
- Installation is complete, turn on power at fuse or circuit breaker.

\*\*\*Clean with a dry, soft cloth only. Use no harsh abrasives or chemical agents\*\*\*



RG051

