

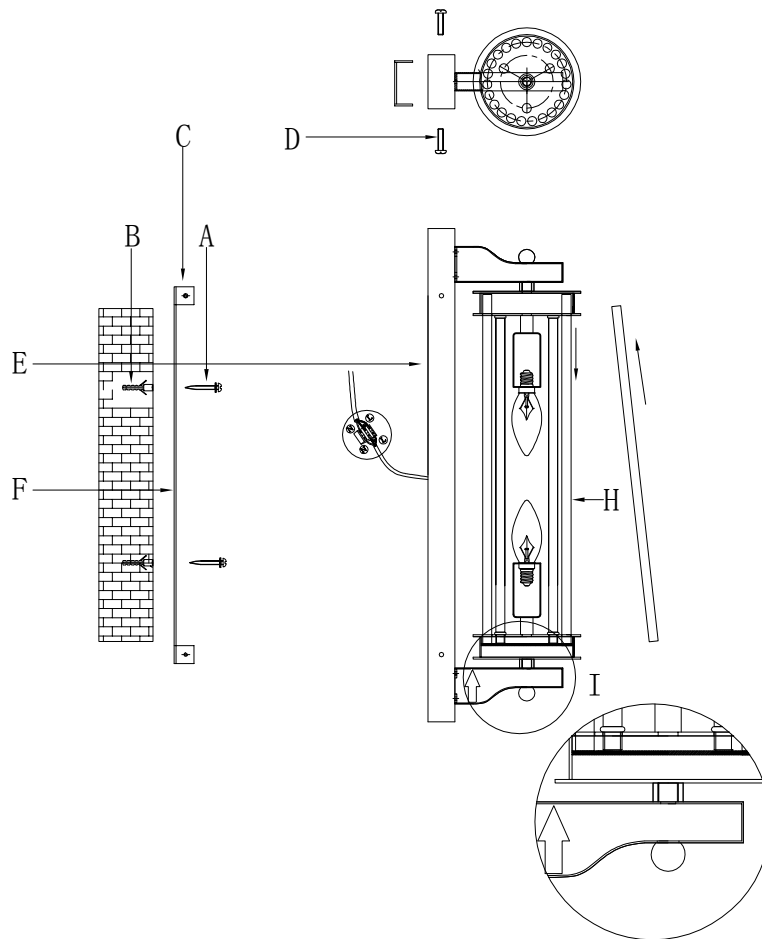
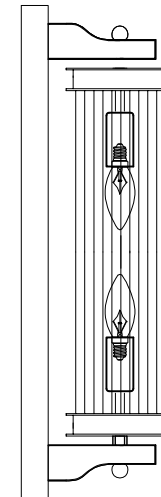
# Assembly Instructions

WE RECOMMEND INSTALLATION OF THIS LIGHTING FIXTURE BE DONE BY A LICENSED ELECTRICIAN.

WARNING \*\*\* SWITCH OFF THE MAIN ELECTRICAL SUPPLY FROM THE MAIN FUSE BOX/CIRCUIT BREAKER BEFORE INSTALLATION.

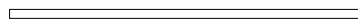
1. Loosen the side screws (D) and take the mounting bracket (C) from the base (E). Then inset the expansion tubes (B) to the wall holes and then fix the bracket (C) with screws (A) to the wall.
2. INSURE THE ELECTRICITY SUPPLY IS TURNED OFF
3. **IMPORTANT: FIND THE UPSIDE LABLE AND MAKE SURE THE WALL LAMP IS IN THE CORECT WAY** . Connect the 2 power wires and earth wire according to their colours. Brown is the live wire, blue is the neutral wire, green / yellow is the earth wire.
4. Attach the base (E) to the bracket (C) and secure with side screws (D)
5. Install the bulbs on the sockets
6. Install the glass sticks ( H ) on the lamp body according to the illustration.
7. Installation is complete , turn on power at fuse or circuit breaker.

\*\*\*Clean with a dry, soft cloth only. Use no harsh abrasives or chemical agents\*\*\*



RG031

H



23pcs